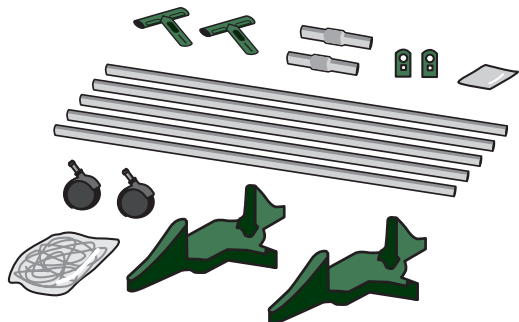
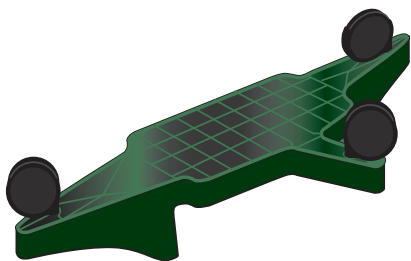


STEP 1 | Getting Started



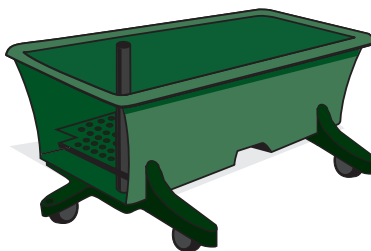
The EarthBox® Staking System includes 2 T-Connectors, 2 Straight Connectors, 2 Rim Clamps, Hardware, 5 Identical Aluminum Tubes, 2 Casters, 2 Outriggers, Netting. Make sure all components are handy before beginning your assembly. No tools are required.

STEP 2 | Add Casters (Optional)



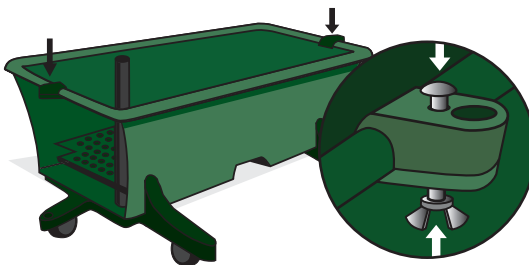
If casters are desired, turn outriggers upside-down and insert casters into sockets. You will need a total of 6 casters. Two casters came with your staking system. The additional 4 casters can be purchased separately.

STEP 3 | Attach Outriggers



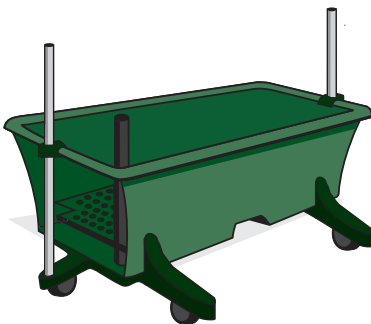
Place EarthBox container onto the outriggers, aligning pins with the caster sockets on the bottom of the container. If the container is empty, it may be easier to turn the container upside down to attach the outriggers.

STEP 4 | Attach Rim Clamps



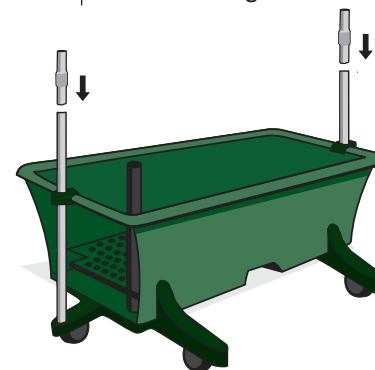
Attach rim clamps between the ribs under the lip in the middle of each end of the EarthBox container using the bolts and wing nuts provided in the kit. Do not over-tighten.

STEP 5 | Insert Tubes



Tubes are identical in length. Insert a tube through the hole in the rim clamp and into the outrigger. Repeat for the rim clamp on the opposite end of the box.

STEP 6 | Insert Straight Connectors



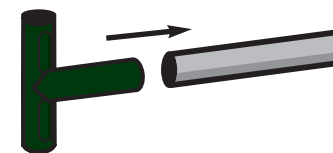
Insert straight connectors into the vertical tubes.

STEP 7 | Insert Vertical Tubes



Insert two tubes vertically onto top end of straight connectors.

STEP 6 | Add T-Connectors to Horizontal Tube



Slide the long leg of a T-connector into each end of tube to be used as a horizontal support.

Continued on flap

STEP 9 | Final Horizontal Assembly



Slide T-Connector & Horizontal Bar assembly into Vertical Tubes.

STEP 10 | Add Netting



Hang netting over top T-connectors. Tie netting to top tube at equal intervals. Tie netting to vertical tubes at even intervals, starting at the top and working down.



Everybody's talking about the EarthBox growing system. Join The latest discussions at <http://forum.earthbox.com>



Find us on facebook at www.facebook.com/earthbox, and read up on the latest gardening articles and EarthBox news.



Want up to the minute scoop on EarthBox news? Follow us on twitter at <http://twitter.com/earthbox>



STAKING SYSTEM

Instructions Inside

The EarthBox
1350 Von Storch Ave
Scranton, PA 18509
www.earthbox.com

To place an order:
(888) 229-0186 24 Hours / 7 days

Customer Service:
(800) 821-8838 Mon-Fri 9am-5pm

© 2009 The EarthBox